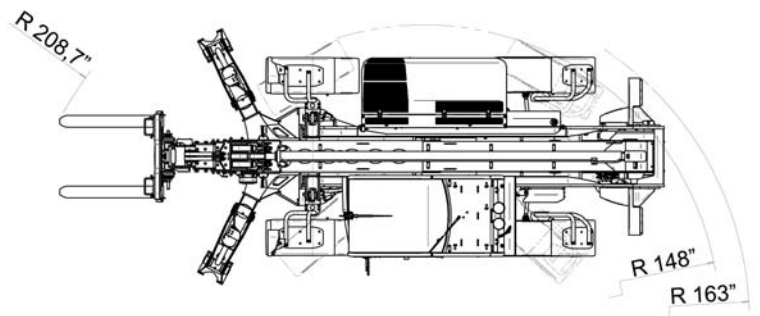
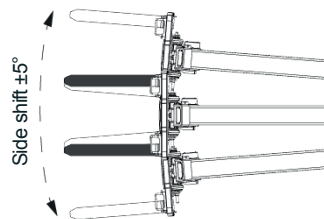
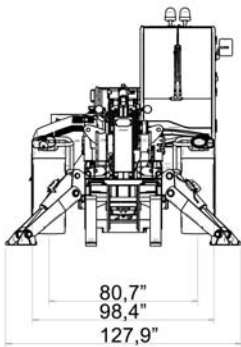
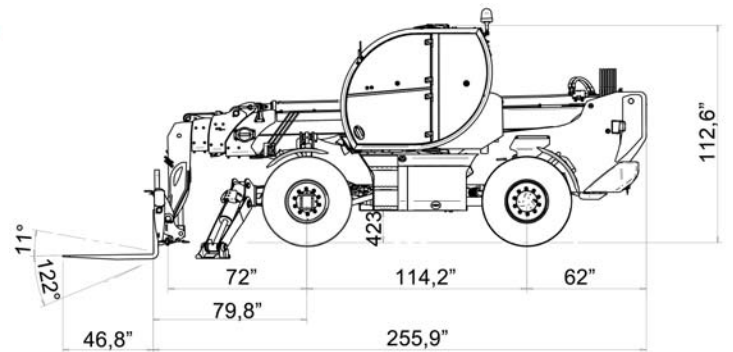
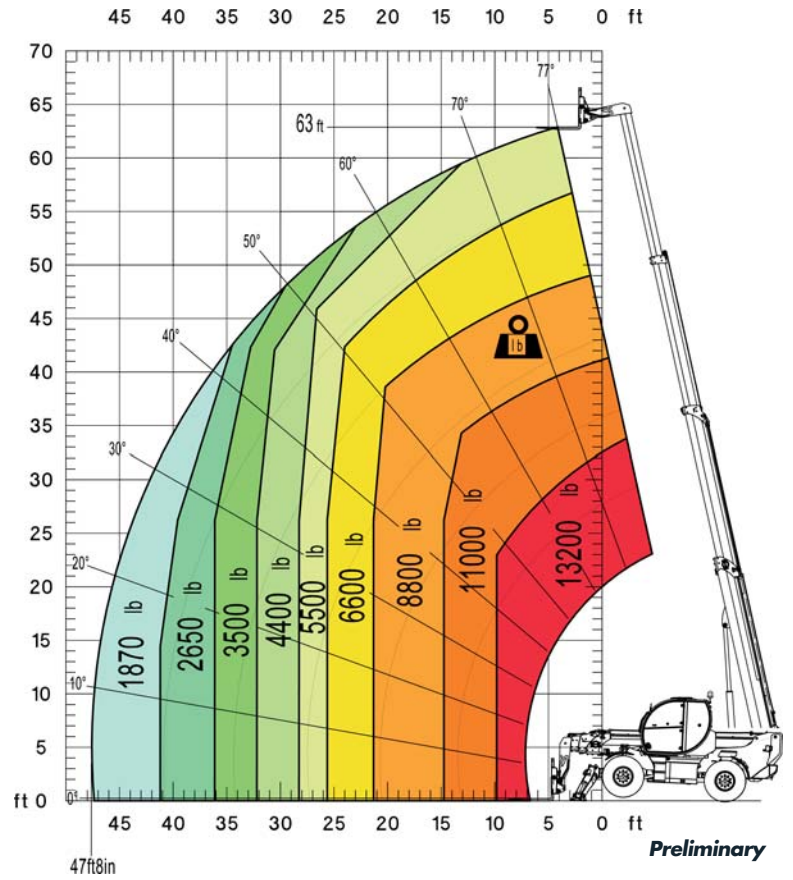




TH 6.20

Load chart forkcarriage with fork



PARAMOUNT EQUIPMENT, LLC ~ 805 LEHIGH AVENUE ~ UNION, NJ 07083
 908-820-8899 ~ 844-2RO-TATE ~ Sales@ParamountTH.com
 Exclusive Importer & Master Distributor

LIFT CAPACITY	13.220 lb at 23.6 in load center
MAXIMUM LIFTING HEIGHT	63 ft
MAXIMUM REACH	47,8 ft
FORKS	Forks 5,9x2,36x47,24 in Side shift fork system: angle $\pm 5^\circ$ left and right
CAB	FOPS-ROPS tested hermetic cab with protectors Front, rear and upper wiper Headlights for road circulation, flashing beacon Rear view mirrors Heating - Air conditioning
CONTROLS	Multi-function electro proportional joystick
BRAKE SYSTEM	Hydraulic servo-assisted multidisc brake in oil bath on both axles, with double circuit Negative parking brake
ENGINE	DEUTZ TCD 3.6 L4 - stage 4 / tier 4 Final Turbo intercooler 4 cylinders / 3.621 cm ³ Power: 100 KW - 134 HP Max rpm = 2.200 Max torque 500 Nm 850 rpm Diesel turbocharged Liquid cooling system
AXLES	Heavy Duty with epicyclic reduction One steering cylinder each axle Levelling correction front axle at + 8° on the right and + 8° on the left 3 types of steering: - with front steering - with round steer - with crab steering Tilting rear axle
PERFORMANCE	Max. travel speed: 40 km/h Drawbar pull: 66 kN Turning radius (end of forks): 163 in
WEIGHTS	Total unladen: 31.526 lb
TRANSMISSION	Rexroth hydrostatics Variable displacement hydrostatic pump with electronic control One variable displacement hydrostatic motor Hydraulic gearbox with 2 speeds forward / reverse
HYDRAULIC CIRCUIT	Load sensing piston pump 40 cc 23,8 gal/min Circuit at 350 bar Electroproportional valve Suction and return line filters High pressure flexible hoses
TANKS CAPACITIES	Engine oil = 4,2 gal Colling liquid = 5,2 gal Hydraulic oil tank = 29 gal Fuel tank = 31,7 gal
TYRES DIMENSIONS	445/65 R22,5 two each axle, driving and steering
SAFETY	Electronic safety system overload. Block of aggravating movements of the load. Safety valves on cylinders

The data in this brochure are informative and subject to change without notice